

DALLAS
SEMICONDUCTOR

Application Note 67 Applying and Using the DS1620 in Temperature Control Applications

INTRODUCTION

The DS1620 Digital Thermometer and Thermostat provides 9-bit temperature readings which indicate the temperature of the device. With three thermal alarm outputs, the DS1620 can also act as a thermostat. T_{HIGH} is driven high if the DS1620's temperature exceeds a user defined temperature TH. T_{LOW} is driven high if the DS1620's temperature falls below a user defined temperature TL. T_{COM} is driven high when the temperature exceeds TH, and stays high until the temperature falls below that of TL. This is shown in Figure 1.

User defined temperature settings are stored in non-volatile memory, so parts may be programmed prior to insertion in a system, as well as used in stand-alone applications without a CPU. Temperature settings, and temperature readings are all communicated to/from the DS1620 over a simple 3-wire interface.

TEMPERATURE CONTROL WITH THE DS1620

The thermostat outputs of the DS1620 allow it to directly control heating and cooling devices. For example, the T_{HIGH} output could be used with an external latch to turn on a fan as soon as the measured temperature exceed the TH threshold, as shown in Figure 2. This is one possible use of the thermostat outputs, but it isn't the most efficient way to control a fan, since once the fan turned on, there is no way to turn it off.

Conversely, the T_{LOW} output could be used in a similar fashion to turn on a heating device, as shown in Figure

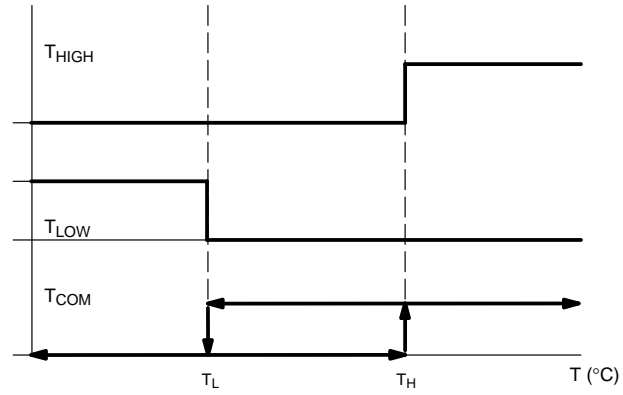
3. Once again, however, there is no way to turn the heater off once the desired temperature range is reached. Using a self-regulating heater prevents overheating, while the DS1620 assures that it initially turns on only if the temperature is cold enough to warrant it.

It would be possible to use the T_{HIGH} and T_{LOW} outputs to set and reset an external latch, so that once the fan came on, it would stay on until the lower temperature threshold is reached, as shown in Figure 4. This same principle could be used with the heating example, provided T_{LOW} set the latch and T_{HIGH} reset it.

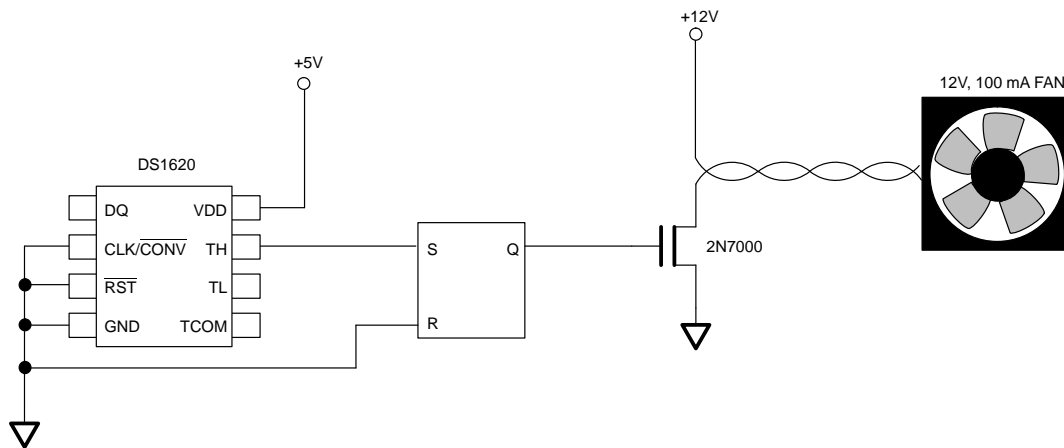
The T_{COM} output is provided on the DS1620 to allow a fan to be directly controlled from the DS1620, without the need for external latches. An example of this is shown in Figure 5. This allows the fan to turn on only when the temperature exceeds the TH trip point, and will stay on until the temperature drops below the TL trip point. After that, the fan is turned off. This is ideal for systems where power is important, as the fan is used only when necessary and only for as long as needed.

The previous examples show the DS1620 being used in a stand-alone mode, without a connection to a microprocessor. In order to use it this way, the temperature limits must first be programmed into the DS1620; since the settings are nonvolatile, the parts can be programmed prior to insertion in the end system application. While these examples show the DS1620 in stand-alone mode, nothing prevents them from being used in an application where the DS1620 is interfaced to a microprocessor.

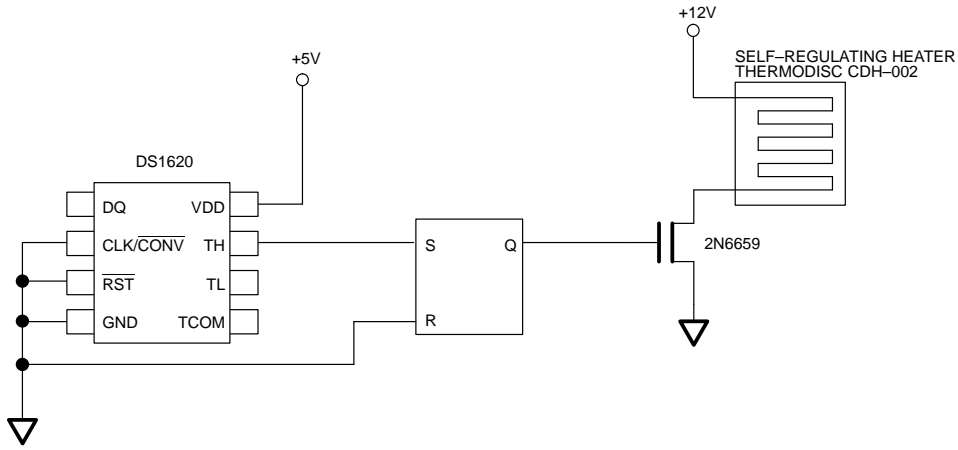
THERMOSTAT OUTPUT OPERATION Figure 1



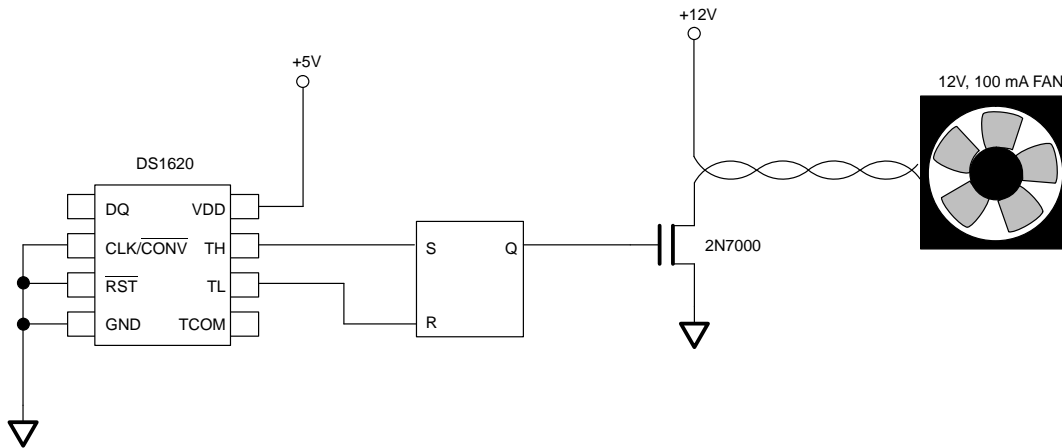
USING T_{HIGH} TO DRIVE A FAN Figure 2



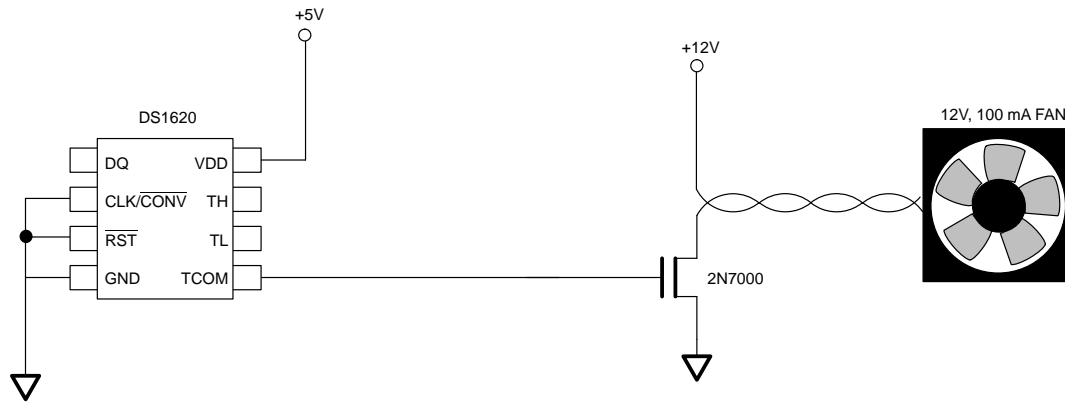
USING T_{Low} TO TURN ON A HEATING DEVICE Figure 3



FAN CONTROL WITH EXTERNAL LATCH Figure 4



USING THE T_{COM} OUTPUT TO DRIVE A FAN Figure 5



RELATED PRODUCTS:
DS1620, DS1621, DS1623, DS1625, DS1821